

# Assembly Instructions

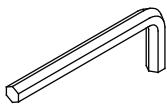
## Aspen Utility For Wooden Top

- Before you begin to assemble your new piece of furniture, please check to ensure that all parts have been supplied.
- Follow instructions closely as deviation from them may void your warranty and present a possible safety risk.
- It is recommended that assembly is done on a soft surface like carpet to avoid any damage.
- If you experience any problems with your new purchase please phone our Customer Service Hotline 1800 807 416 (Customers outside Australia should contact their closest Freedom store.)

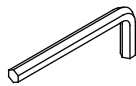
### Care Information

Periodically check and re-tighten any fasteners. Wipe down all surfaces weekly with a clean cloth. Do not clean any surfaces with harsh abrasives or chemicals.

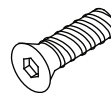
### Hardware



1xPart A



1xPart B



4xPart C

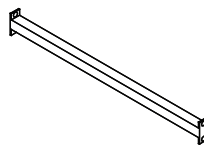


8xPart D

### Parts



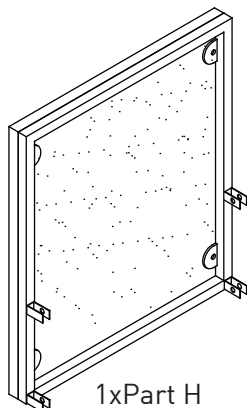
2Part E



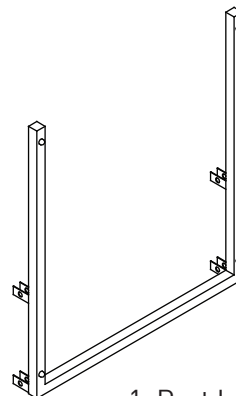
1xPart F



2xPart G



1xPart H

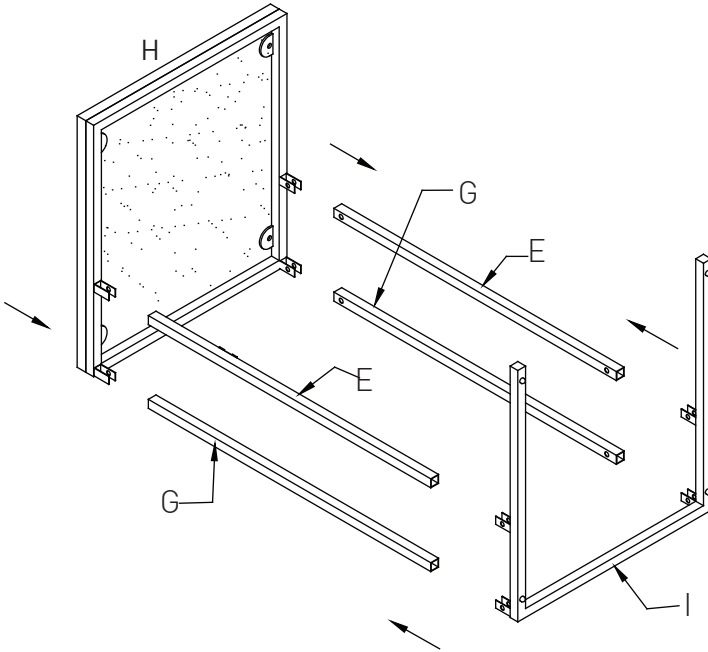


1xPart I

# Assembly Instructions

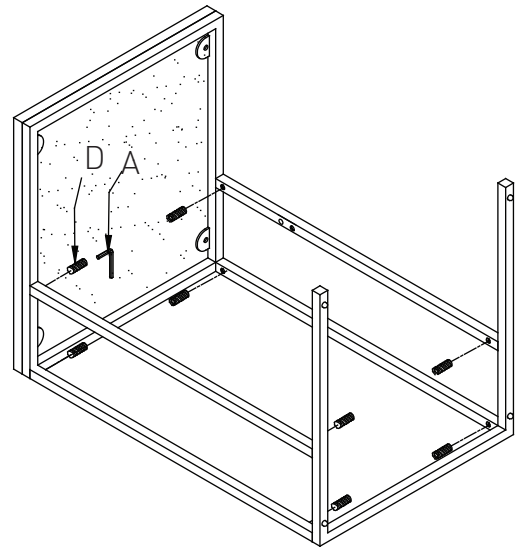
Aspen Utility For Wooden Top

## Step: 1

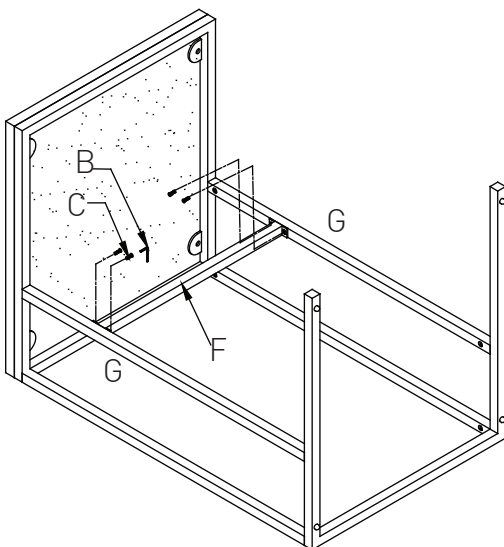


## Step: 2

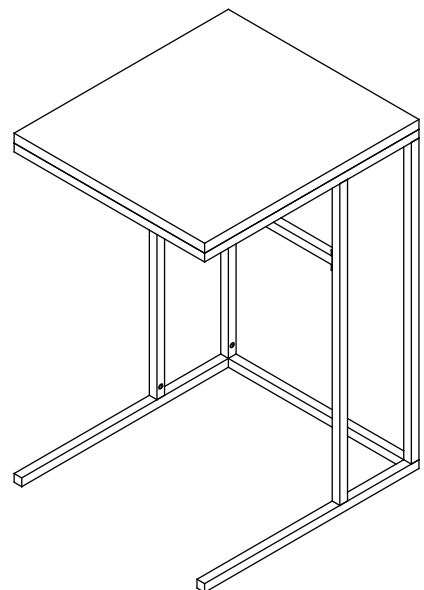
Please do not tighten screws  
Until fully assembled



## Step: 3



## Finished:



Do not tighten bolts until Part F & G  
are fitted